

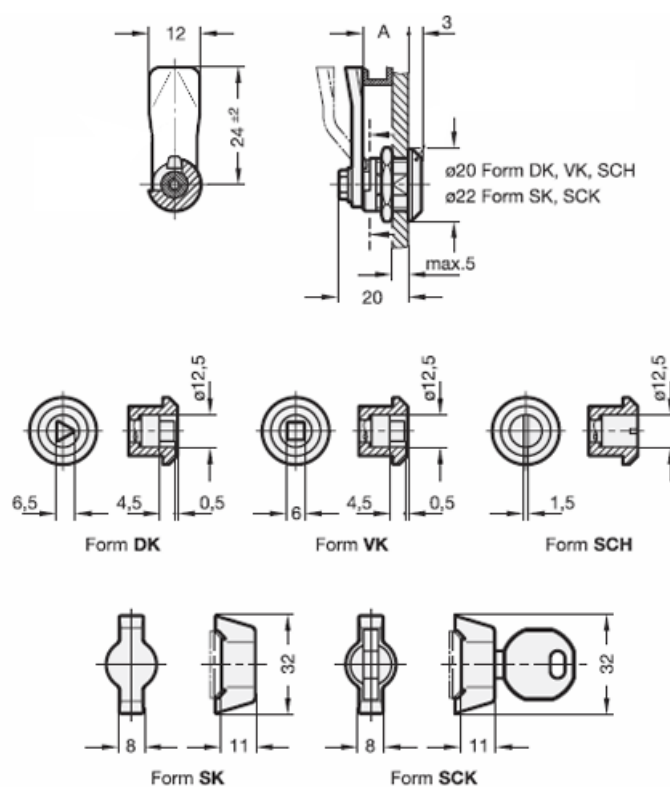
Data Sheet



Article number: 201588019

Description: E+G Mini latch
GN 115.1-SCH-19,5

Measures



A = 19.5